

ED1e-36W : ED1e-36W-5000K-IP67-60D-P

LED Outdoor Downlight,36W,3780lm,220-240VAC,5000K,60°,IP67,Ø220X248mm.



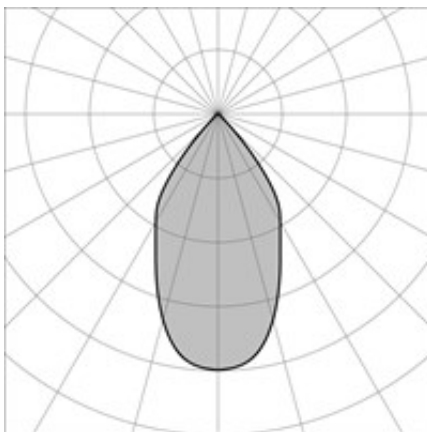
GENERAL PRODUCT DATA

Product Category	ED1e-36W,
Technical Description	LED Outdoor Downlight,36W,3780lm,220-240VAC,5000K,60°,IP67,Ø220X248mm.
Mounting Type	Recessed
Color	Stainless Steel Finish

LIGHT TECHNICAL DATA

Light Source	COB
Lum Flux (LM)	3780lm
Lighting Efficiency (lm/W)	105
CCT	5000K
CRI	Ra>80
CRI(Optional)	Ra>90
MacAdam Step	Mac Adam Step 3
MacAdam Step (On request)	Mac Adam Step 2
Beam Angle	60°

POLAR DIAGRAM



ELECTRICAL PRODUCT DATA

Wattage (w)	36
Voltage Range (V)	220-240VAC
Frequency	50/60Hz
Driver	Non-Dimmable
Dimming(Optional 1)	DALI
Dimming(Optional 2)	

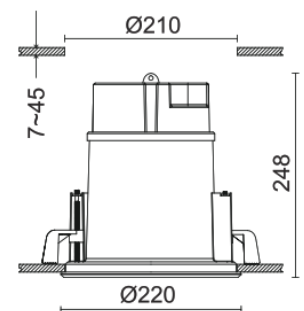
MECHANICAL DATA

Material	
Dimensions	Ø220X248mm
Cut out	
IP	67
IK	
Operating temperature	-20~+50°C
Product weight	

LED LIFESPAN

Led Lifespan	> 50,000 Hours
--------------	----------------

DIMENSIONAL DRAWING



● THINK LIGHT

FOR MORE INFORMATION PLEASE CONTACT

Lucio Lighting B.V

www.lucio-international.com
info@lucio-international.com

Due to the technological evolution of the electronic components, the data provided may be updated, and as such, confirmation must be requested during the order process.
Luminous flux and power supply have +/-10% tolerances with respect to the indicated value. tq +25°C (CIE 121).
We reserve the right to make technical changes.